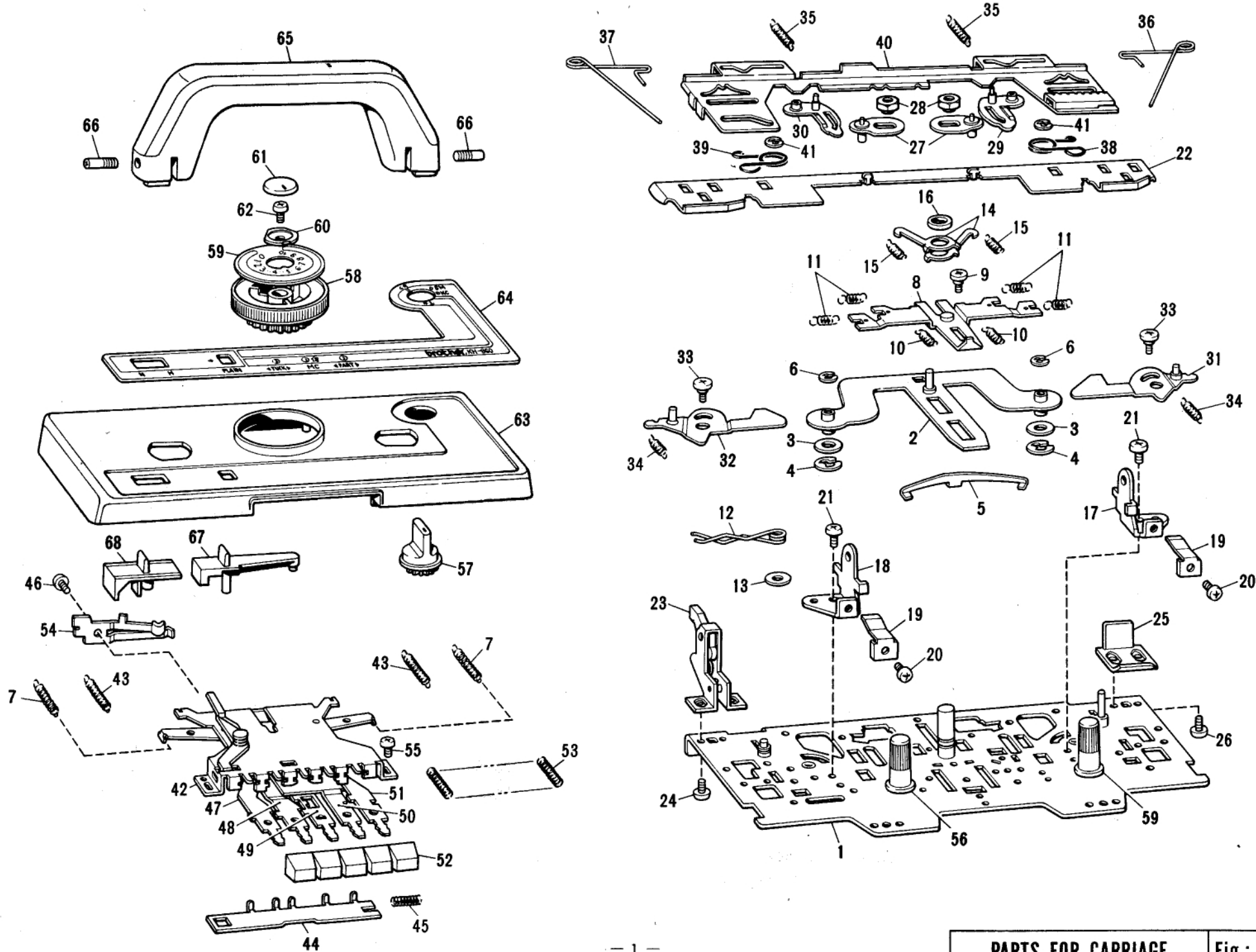


PARTS CATALOGUE FOR BROTHER KH-860 MACHINE

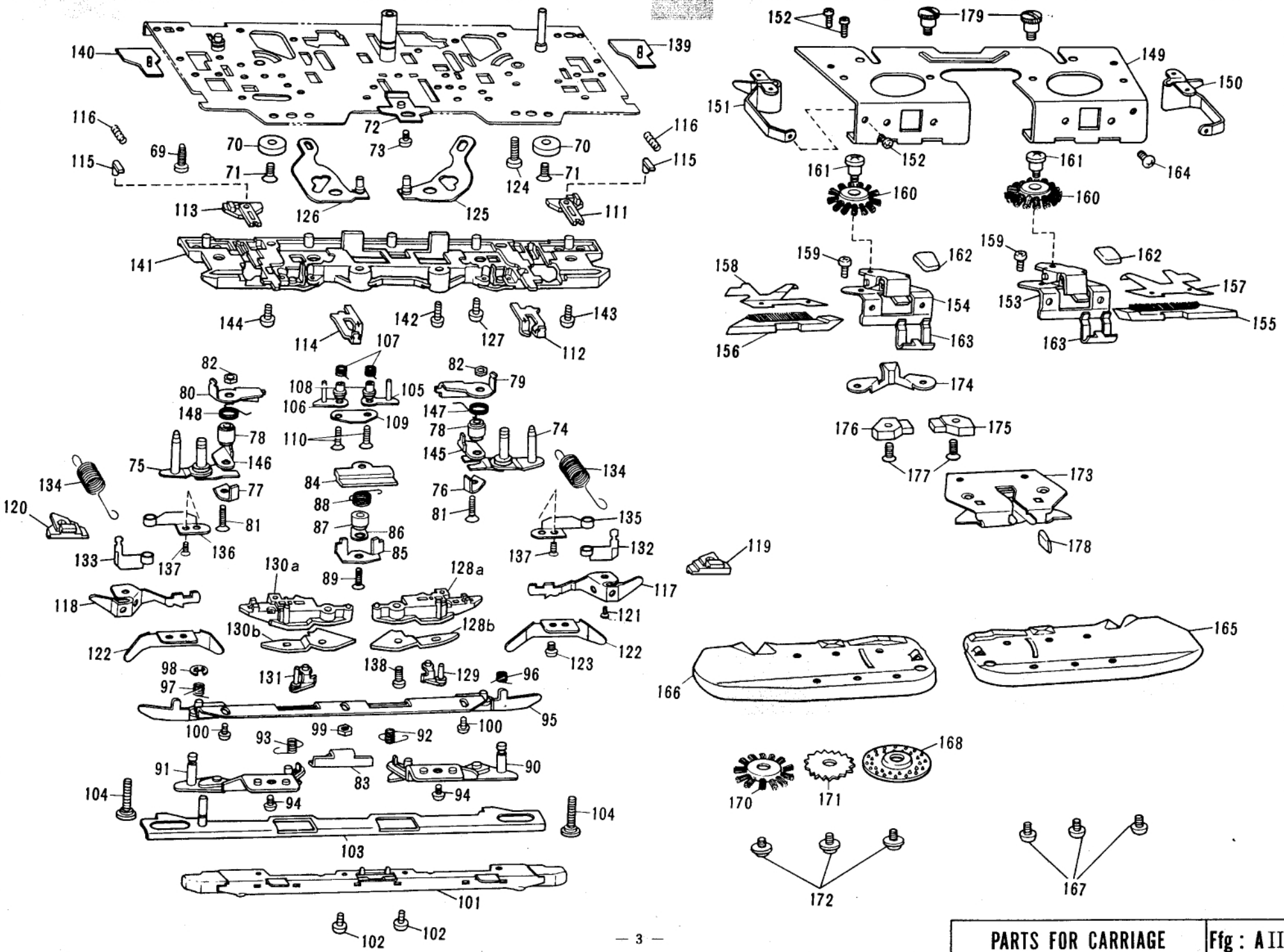
*Parts marked with "O" are not interchangeable
with other models*



PARTS FOR CARRIAGE Fig: A I

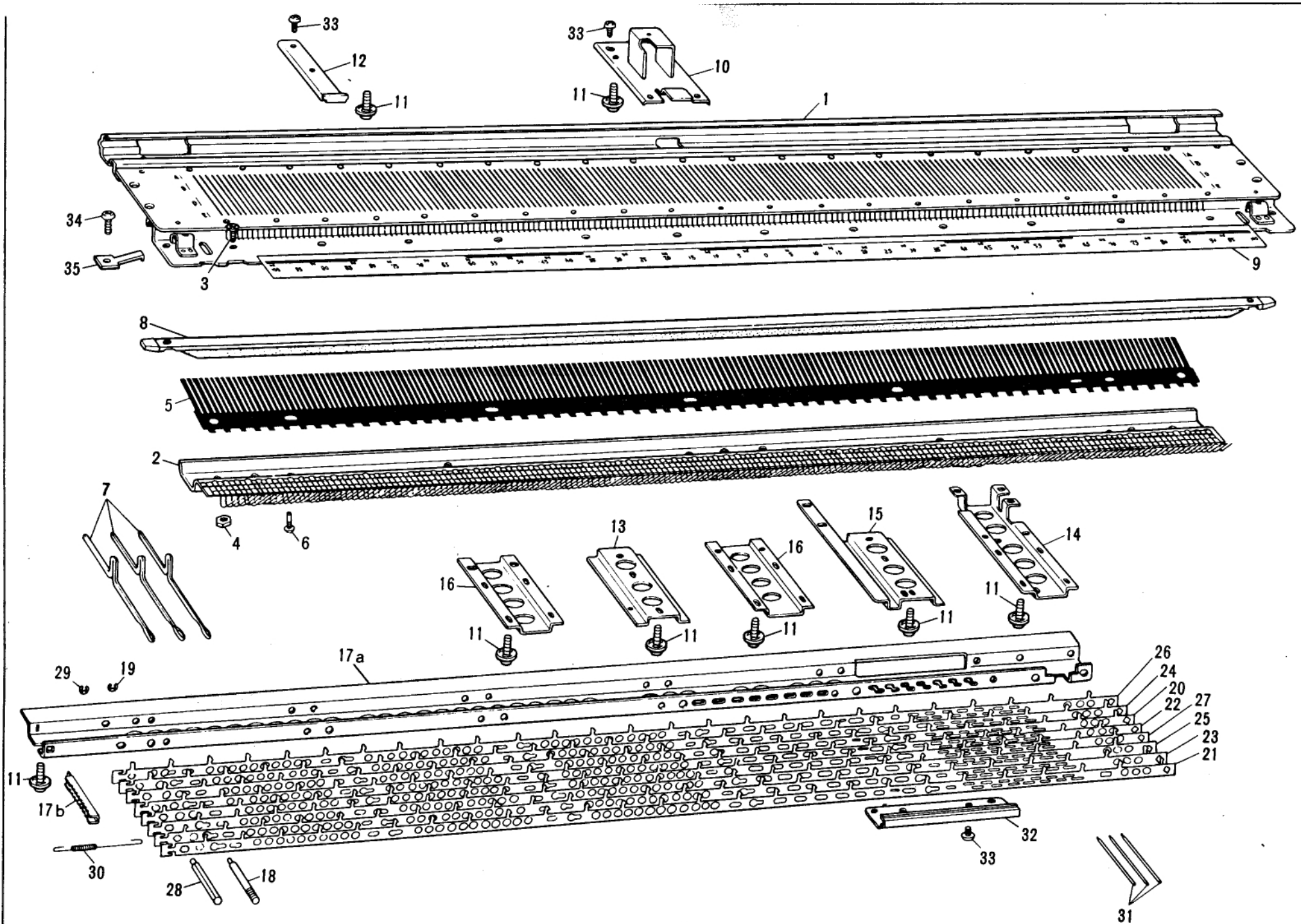
PARTS FOR CARRIAGE UPPER PART

Ref. No.	Parts No.	Description	Revised	Q'ty	Ref. No.	Parts No.	Description	Revised	Q'ty
○ A11-68 & A1169-179 A I - 1	411080001	Carriage complete set KH-860 B		1	A I - 65	409605001	K Carriage handle		1
2	409501001	Carriage plate		1	66	409608001	Screw		2
3	409504001	Stitch cam guide plate		1	67	409609001	Plain lever knob		1
4	405483001	Washer		2	68	409610001	H.C.L. knob		1
5	048070346	Snap ring		2					
6	409506001	Stitch cam guide plate spring		1					
7	048030346	Snap ring		2					
8	407432001	Rasing cam change spring		2					
9	407692001	Change plate		1					
10	408491001	Change plate guide collar		1					
11	407318001	Change plate spring		2					
12	407319001	MC cam spring		4					
13	407333001	H.C.L. spring		1					
14	402447003	Washer		1					
15	407341001	Tuck cam operating plate		2					
16	407342001	Tuck cam spring		2					
17	407343001	Presser ring		1					
18	409520001	Handle setting base, right		1					
19	409521001	Handle setting base, left		1					
20	409522001	Handle lock spring		2					
21	060670403	+ - Screw 3.57×4		2					
22	060680503	+ - Screw 4.37×5		2					
23	409554001	Rear plate		1					
24	409967001	Row counter tripper assembly		1					
25	060660403	+ - Screw 3.18×4		2					
26	409972001	Rear plate guide		1					
27	060660403	+ - Screw 3.18×4		2					
28	409567001	S.M. cam lever		2					
29	409571001	Nut		2					
30	409572001	S.M. cam change crank, right		1					
31	409576001	S.M. cam change crank, left		1					
32	409578001	Cam change plate, right		1					
33	409581001	Cam change plate, left		1					
34	408506001	Stud screw 3.18		2					
35	410928001	Selection guide spring		2					
36	409585001	Needle selection change lever spring		2					
37	409498001	Valve cam E spring, right		1					
38	409499001	Valve cam E spring, left		1					
39	409543001	Connecting plate spring, right		1					
40	409544001	Connecting plate spring, left		1					
41	409565001	Upper slide plate		1					
42-54	048040346	Snap ring		2					
52	409590001	Cam button unit		1					
54	405302003	Push botton		5					
55	409595001	Stitch dial notch spring		1					
56	060670403	+ - Screw 3.57×4		2					
57	409596001	Thunb nut		2					
58	409597001	Change knob		1					
59	409599001	Stitch dial		1					
60	409974001	Stitch dial indicator plate		1					
61	406283001	Stitch dial presser		1					
62	409601001	Stitch dial cap		1					
63-64	060660603	+ - Screw 3.18×6		1					
○ 63	411081001	K Carriage cover assembly KH-860 B		1					
○ 64	409603001	K Carriage cover		1					
	411082001	K Carriage cover decoration plate KH-860B		1					



PARTS FOR CARRIAGE LOWER PART

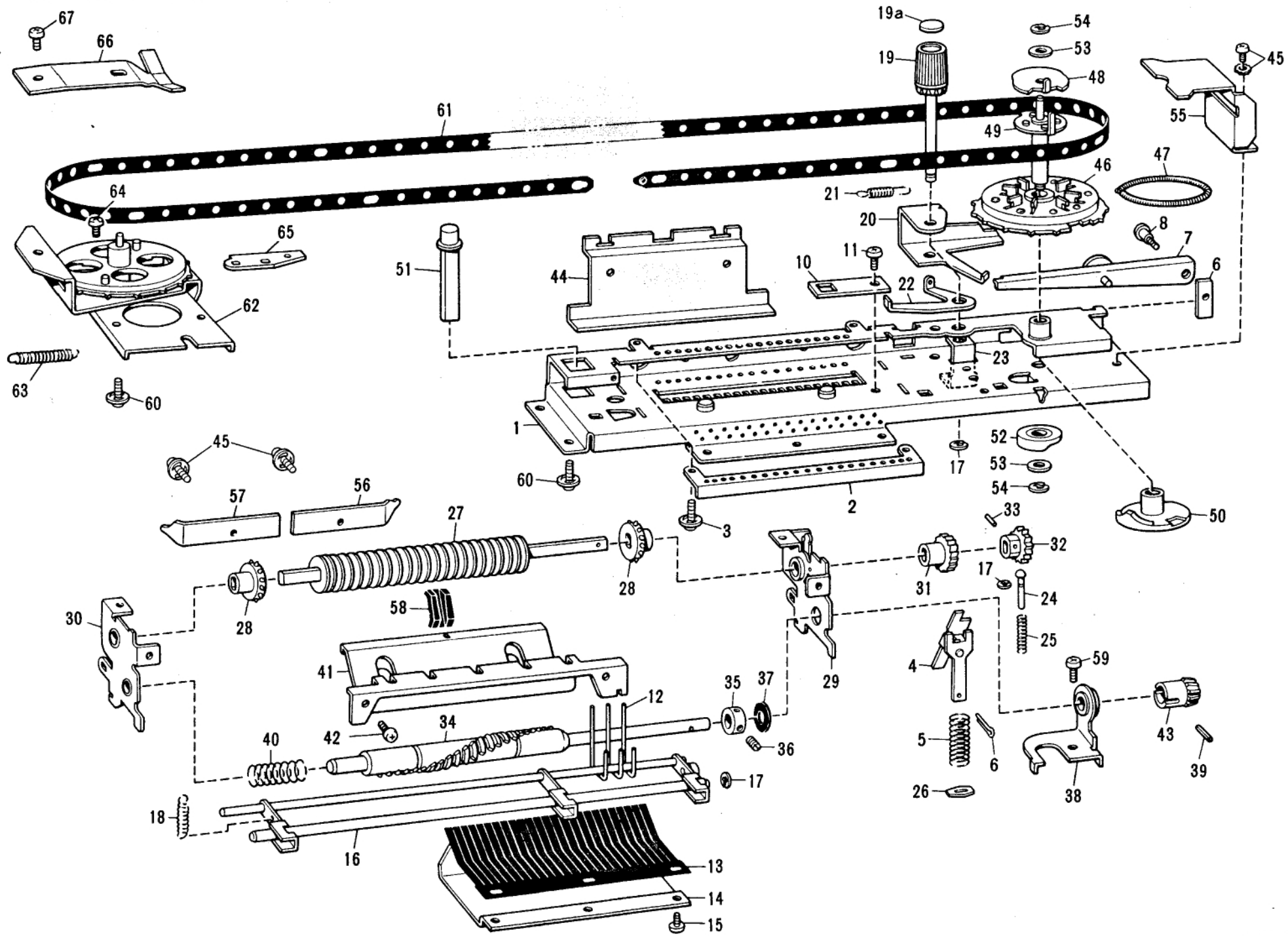
Ref. No.	Parts No.	Description	Revised	Q'ty	Ref. No.	Parts No.	Description	Revised	Q'ty
A II- 69	037351615	Tapping screw		2	A II-125	409523001	Needle selection change plate, right		1
70	407285000	Carriage magnet 16		2	126	409526001	Needle selection change plate, left		1
71	408773001	Flat head screw 3.18×9		2	127	409528001	Stud screw		2
72	407289001	Stripe adjuster plate		1	128	409921001	Selection cam, right	{ 411491001	1
73	060679303	+ - Screw 3.57×3.5		1	129	409530001	Needle selection change cam, right	{ 411489001	1
○ 74	410094001	Stitch cam assembly, right		1	130	409922001	Selection cam, left	{ 411492001	1
○ 75	410097001	Stitch cam assembly, left		1	131	409535001	Needle selection change cam, left	{ 411490001	1
76	407296001	Sub stitch cam, right		1	132	410883001	Valve cam F, right		1
77	407297001	Sub stitch cam, left		1	133	410884001	Valve cam F, left		1
78	407298001	Sub stitch cam shaft		1	134	409570001	Valve cam F spring		2
79	407313001	MC cam, right		1	135	409537001	Guide cam G, right		1
80	407314001	MC cam, left		1	136	409538001	Guide cam G, left		1
81	407312001	Screw		2	137	410030001	Flat head screw 2.38×14		2
82	021660406	Nut		2	138	060661003	+ - Screw 3.18×10		2
83	408465001	Slide cam		1	139	409539001	Connecting plate, right		1
84	408466001	Slide cam guide		1	140	409541001	Connection plate, left		1
85	407356001	Guide cam C		1	141	409895001	Rear foot		1
86	407635001	Valve cam C		1	142	060660403	+ - Screw 3.18×4		2
87	408467001	Shaft for guide cam C		1	143	409494001	Screw 3.57		2
88	407636001	Valve cam C spring		1	144	060661213	Screw 3.18×12		2
89	408459001	Flat head screw C		1	○ 145	410488001	Valve cam D, right		1
90	408468001	Guide cam B, right		1	○ 146	410489001	Valve cam D, left		1
91	408471001	Guide cam B, left		1	○ 147	410490001	Valve cam D spring right		1
92	408473001	Valve cam B spring, right		1	○ 148	410491001	Valve cam D spring left		1
93	408474001	Valve cam B spring, left		1	○ 149-179	411008001	Sinker plate complete set		1
94	408305002	Screw		2	149-172	411009001	Sinker plate assembly without feeder		1
95-98	407455001	Guide cam A assembly		1	149	409979001	Sinker plate arm		1
95	407320001	Guide cam A		1	150	407427000	Weaving thread guide, right		1
96	407325001	Holding cam spring, right		1	151	407428000	Weaving thread guide, left		1
97	407326001	Holding cam spring, left		1	152	409162001	Tapping screw 3V-2.6		6
98	048030346	Snap ring		2	153	410026001	Weaving lever assembly, right		1
99	408524001	Nut		1	154	410027001	Weaving lever assembly, left		1
○ 100	408305002	Screw		2	155	410003001	Latch opening brush, right		1
101	409892001	Front foot		1	156	410004001	Latch opening brush, left		1
102	408305002	Screw		2	157	408607000	Latch presser plate, right		1
103	407327001	Front slide plate		1	158	408608000	Latch presser plate, left		1
104	408504001	Stud screw 3.18		2	159	037280616	Screw		4
105	407579001	Tuck cam, right		1	160	407437001	Weaving pattern brush		2
106	407586001	Tuck cam, left		1	161	408316001	Stud screw for weaving pattern brush		2
107	407338001	Tuck cam spring		1	162	409629001	Weaving lever knob		2
108	407339001	Shaft for tuck cam		2	163	407441001	Weaving lever spring		2
109	407340001	Tuck cam plate		1	164	408305001	Screw		4
110	407299001	Screw		2	165	409614001	Sinker plate, right		1
111	410922001	Selection cam for right end needle		1	166	409618001	Sinker plate, left		1
112	410924001	Selection guide for right end needle		1	167	060660303	+ - Screw 3.18×3		6
113	410923001	Selection cam for left end needle		1	○ 168	410988001	Rubber wheel		2
114	410925001	Selection guide for left end needle		1	170	407702001	Wheel brush		2
115	410926001	End needle selection switch cam		2	171	405184002	Plastic gear		2
116	410927001	End needle selection cam spring		2	172	409621001	+ - Screw 3.18		6
117	409897001	Separation cam, right		1	173-177	409980001	Double yarn feeder assembly		1
118	409898001	Separation cam, left		1	173	409981001	Yarn feeder body		1
119	410929000	Buffer right, for selected needle		1	174	409625000	Magnet holder plate		1
120	410930000	Buffer left, for selected needle		1	175	407454000	Magnet, right		1
121	060660403	+ - Screw 3.18×4		2	176	407578000	Magnet, left		1
122	409519001	Guide cam F		2	177	002631003	Fastening screw, 2.38×10		2
123	062660403	+ - Screw 3.18×4		2	178	407450002	Yarn feeder knob		1
124	062681203	+ - Screw 4.37×12		2	179	409626001	Thumb screw		2



PARTS FOR NEEDLE BED Fig: B

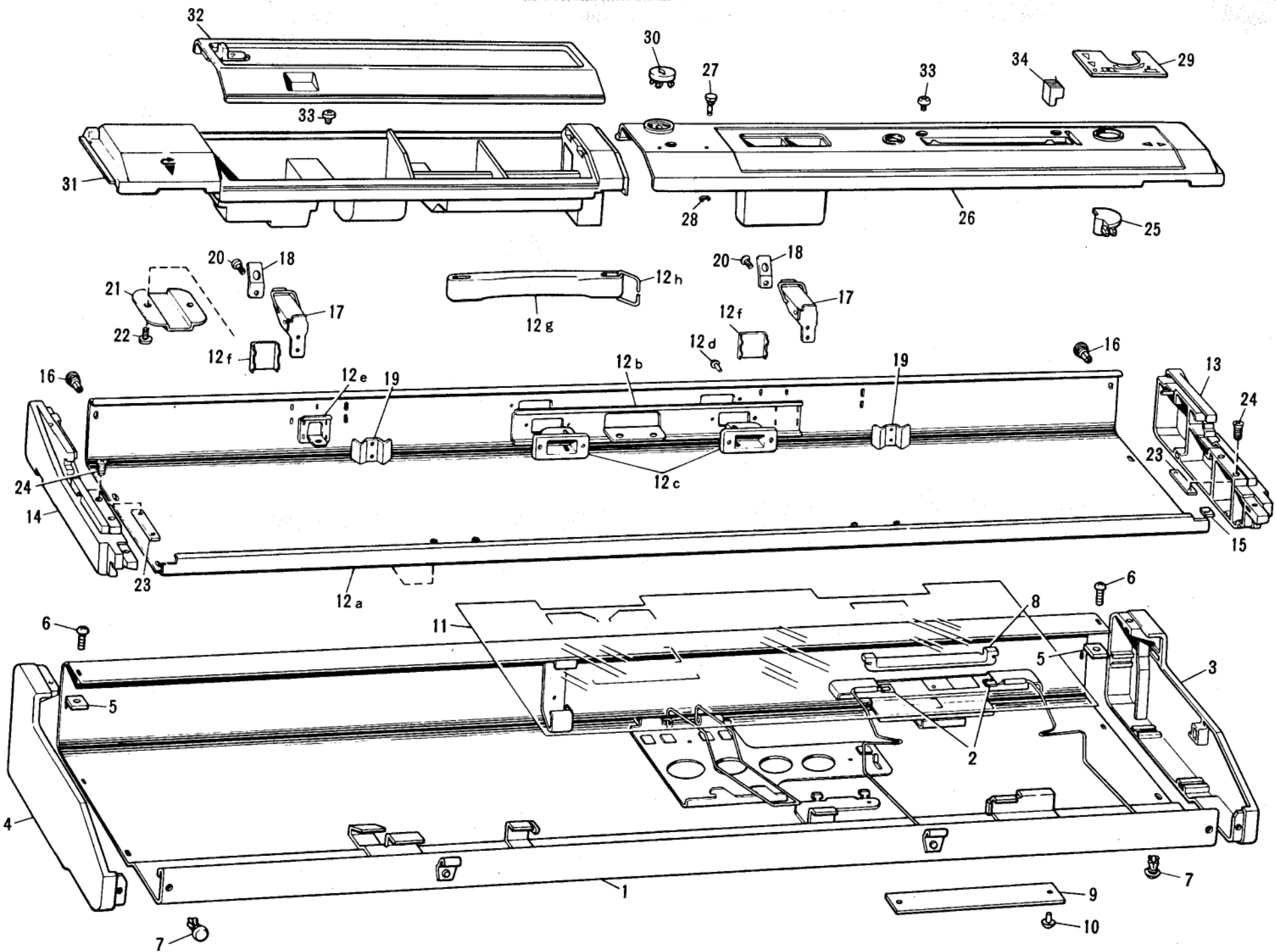
PARTS FOR NEEDLE BED

Ref. No.	Parts No.	Description	Revised	Q'ty	Ref. No.	Parts No.	Description	Revised	Q'ty
○ B- 1	411102001	Needle bed assembly		1					
2	409641001	Needle bed comb assembly		1					
3	004630704	Screw		12					
4	405077001	Nut		12					
5	407112001	Needle retaining spring		1					
6	407687001	Screw		3					
7	407113001	Plain needle		200					
8	405078002	Needle presser bar assembly		1					
9	407114001	Needle position indicator		1					
10	407565001	Carrying case reinforcing plate A		1					
11	409197001	Screw with washer		27					
12	407116000	Carrying case reinforcing plate B		1					
13	407120000	Lower holder plate		1					
14	407121000	Stay, right		1					
15	408061000	Stay, center		1					
16	407123000	Stay, left		2					
○ 17-30	411088001	Needle selector plate holder assembly		1					
○ 17-19	411089001	Needle selector plate holder		1					
18	408159001	Shaft A		6					
19	048025346	Snap ring		6					
20	408088001	Needle selector plate, 1		1					
21	408089001	Needle selector plate, 2		1					
22	408090001	Needle selector plate, 3		1					
23	408091001	Needle selector plate, 4		1					
24	408092001	Needle selector plate, 5		1					
25	408093001	Needle selector plate, 6		1					
26	408094001	Needle selector plate, 7		1					
27	408095001	Needle selector plate, 8		1					
28	408172001	Shaft B		1					
29	048025346	Snap ring		1					
30	408086001	Needle selector plate spring		8					
31	408098001	N.S.P. operation lever		24					
32	408099001	Operation lever presser		1					
33	060660403	+ - Screw 3.18×4		5					
34	060660704	+ - Screw 3.18×7		2					
35	407457001	Extension rail lock spring		2					



NEEDLE SELECTOR UNIT Fig : C

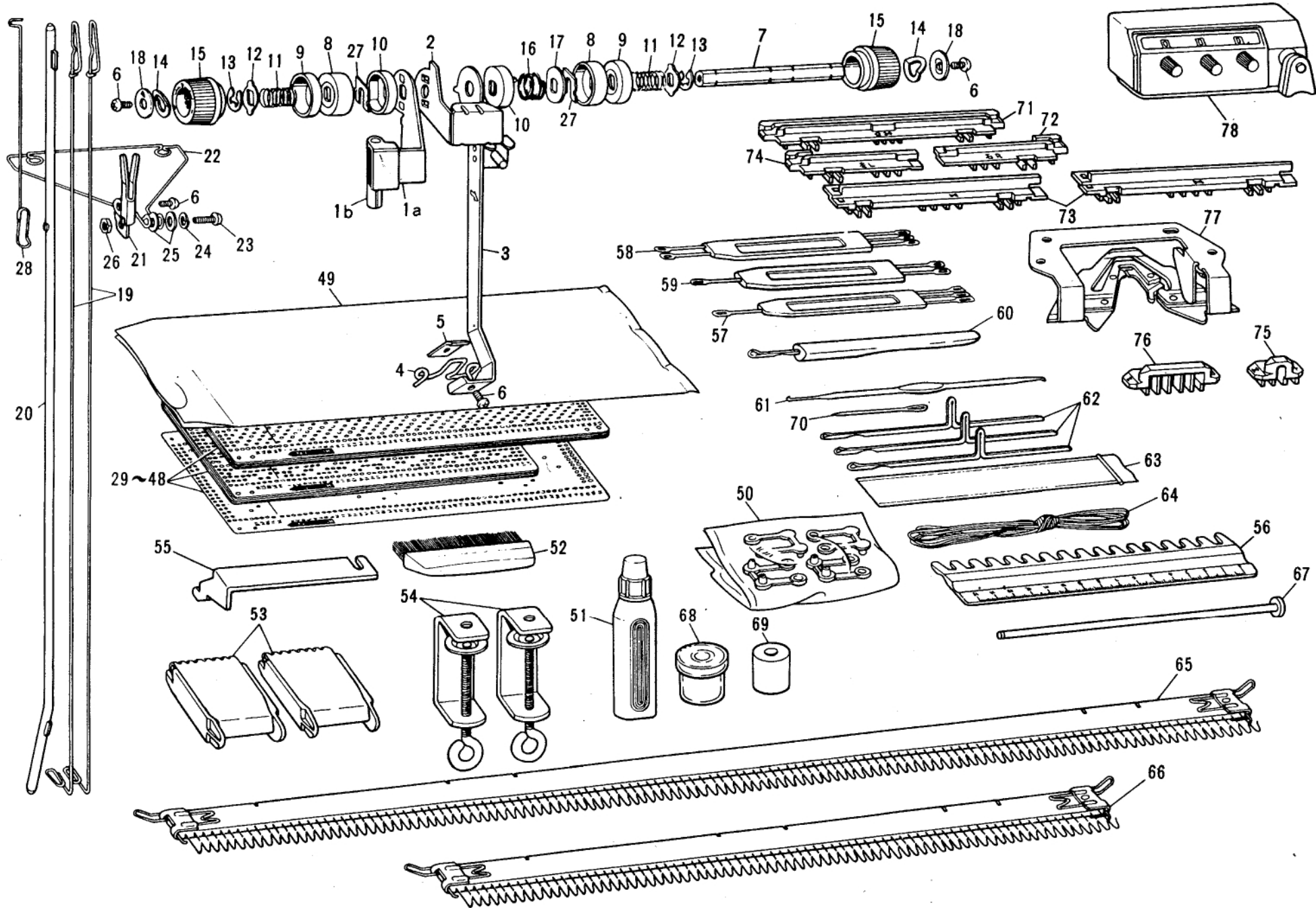
Ref. No.	Parts No.	Description	Revised	Q'ty	Ref. No.	Parts No.	Description	Revised	Q'ty
C- 1-59	410007001	Needle selector unit		1	C-55	408084000	Timing belt guide plate, right		1
○ 1	409662002	Needle selector unit body		1	56	408309001	Spring plate R		1
2	409679000	Card reader adjusting plate		1	57	408308001	Spring plate L		1
3	409197001	Screw With washer		2	58	407467000	Card guide pin holder		1
4	409665001	Ratchet assembly		1	59	060660503	+ - Screw 3.18×5		1
5	407145001	Ratchet operation plate spring		1	60	409197001	Screw with washer		7
6	045100802	Split pin		1	61	408181001	Timing belt		1
7	408529001	Card feeding lever assembly		1	62-64	410012002	Pulley assembly		1
8	408534001	Stud screw		1	63	410016001	Belt tension control spring		1
9	407197000	Card feeding adjuster plate		1	64	410072001	Screw with washer		2
10	408068001	Card reader guide stopper		1	65	410071000	Pulley adjusting plate		1
11	060660403	+ - Screw 3.18×4		1	66	407597001	Brake spring		1
12	407152001	Card reader		24	67	060660403	+ - Screw 3.18×4		1
13	408315001	Card reader spring		1					
14	408213000	Card reader spring presser plate		1					
15	062669303	+ - Screw 3.18×3.5		3					
16	408069001	Card reader release plate assembly		1					
17	048020346	Snap ring		3					
18	407161001	Spring for card reader release plate		1					
19	407189007	Card feeding knob assembly		1					
19a	405330002	Slide dial decoration plate		1					
20	408535001	Intermittent feeding lever		1					
21	408536001	Intermittent feeding lever spring		1					
22	408537001	Change lever		1					
23	407193000	Card feeding knob stopper cam		1					
24	407179001	Card position guide pin		1					
25	407180001	Spring		1					
26	407464000	Ratchet spring stopper ring		1					
27-42	410008001	Card feeding unit		1					
27	407162001	Card roller		1					
28	407164001	Feeding gear		2					
29	409673001	Card roller holder right assembly		1					
30	408075001	Card roller holder, left		1					
31	407176000	Ratchet wheel		1					
32	407177000	Card position guide gear		1					
33	407473001	Pin		1					
34	408078002	Rotary cam		1					
35	407184001	Rotary cam adjuster collar		1					
36	013680516	Stopper screw		2					
37	409658001	Washer 8.1		1					
38	409659001	Bevel gear stopper plate		1					
39	407183001	Pin		1					
40	408165001	Rotary cam spring		1					
41	407187001	Card guide		1					
42	060660403	+ - Screw 3.18×4		2					
43	409191000	Bevel gear		1					
44	407188000	Card reader holder		1					
45	409197001	Screw with washer		4					
46	408173001	Clutch wheel assembly		1					
47	410017001	Clutch spring		1					
48	407205001	Clutch cam B		1					
49	407206001	Clutch cam A		1					
50	408082000	Card feeding cam		1					
51	408065006	Push botton		1					
52	408083000	Card reader release cam		1					
53	025350333	Washer		2					
54	048025346	Snap ring		2					



PARTS FOR CARRYING CASE Fig : D

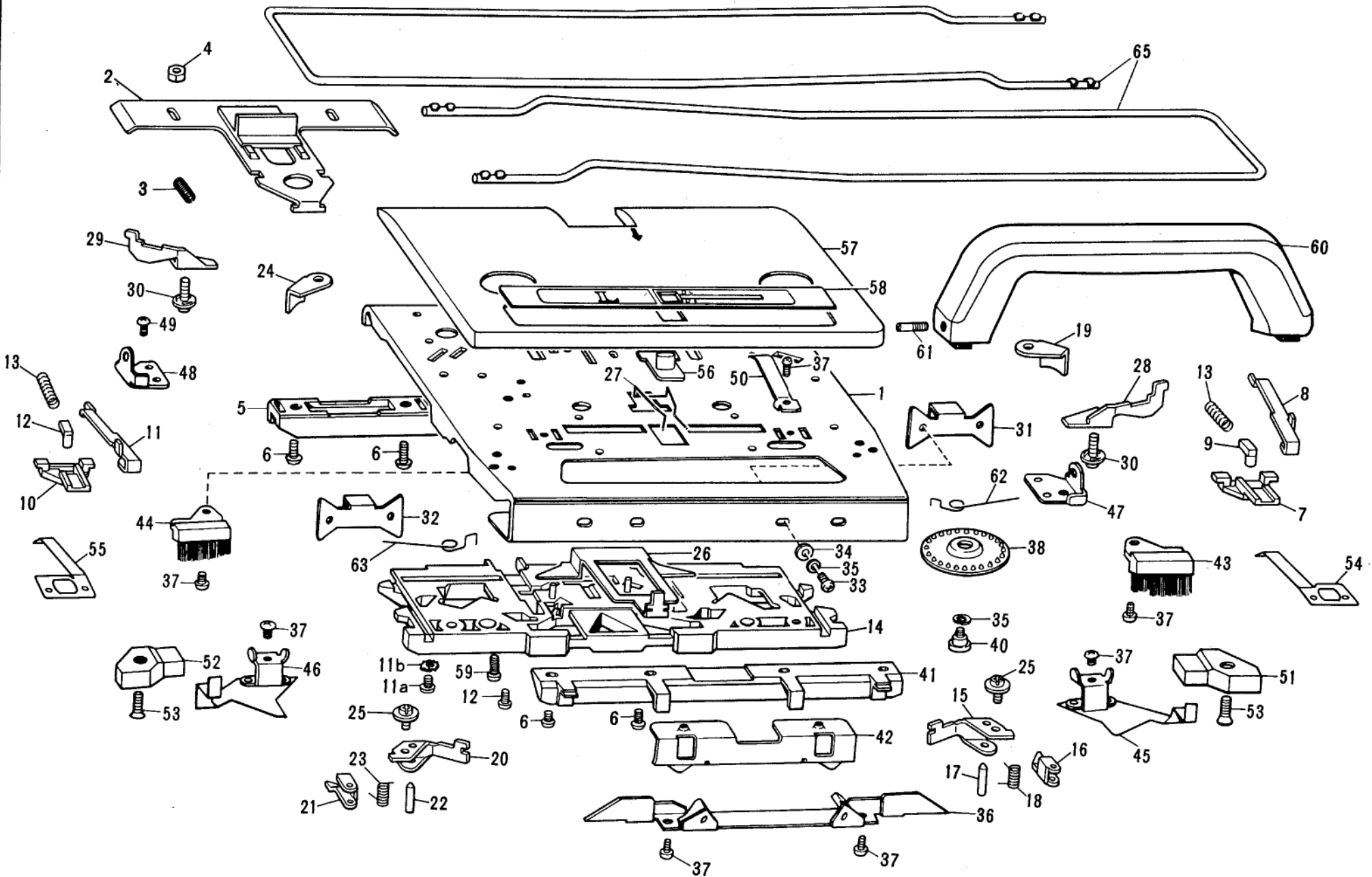
PARTS FOR CARRYING CASE

Ref. No.	Parts No.	Description	Revised	Q'ty	Ref. No.	Parts No.	Description	Revised	Q'ty
○ D- 1-20	411091001	Carrying case complete KH-860 B		1					
○ 1-11	411092001	Carrying case upper assembly KH-860 B		1					
2	408250001	Cushion tube		2					
3	407250006	Upper side plate, right		1					
4	407251006	Upper side plate, left		1					
5	407252001	Square nut, 3.18		2					
6	408307001	Screw		2					
7	408194001	Plastic rivet		8					
8	407741001	L carriage holder plate		1					
○ 9	411094001	BROTHER name plate KH-860		1					
10	408037001	Ribet		2					
11	409986001	Packing instruction sheet		1					
12-20	409942001	Carrying case lower assembly		1					
12a-h	409943001	Carrying case lower body		1					
13	407262006	Lower side plate, right		1					
14	407263006	Lower side plate, left		1					
15	407252001	Square nut, 3.18		2					
16	408194001	Plastic rivet		6					
17	404022001	Carrying case lock assembly		2					
18	404027001	Carrying case lock spring		2					
19	407115000	Fastening plate		2					
20	405658001	Fastening screw		4					
21	407261001	Table clamp setting plate		2					
22	060660604	+ - Screw 3.18×6		4					
23	407265000	Needle bed fastening plate		2					
24	407119001	Screw		4					
25	407523002	Direction indicator plate		1					
26-30	409993001	Panel assembly		1					
○ 31-32	411084001	Accessories box assembly		1					
33	060660504	+ - Screw 3.18×5		4					
34	407277006	Card lock lever knob		1					



PARTS FOR ACCESSORIES

Ref. No.	Parts No.	Description	Revised	Q'ty	Ref. No.	Parts No.	Description	Revised	Q'ty
E- 1-23	410672001	Yarn tension unit assembly		1					
19	404755001	Take-up spring		2					
28	408614001	Sub take-up spring		1					
○ 29-49	411044001	Punch card set KH-860		1					
50	409170001	Plastic snap (4pcs. in one set)		1					
51	405135004	Special knitting machine oil		1					
52	403552002	Hand brush		1					
53	404883005	Claw weight		2					
54	409198001	Table clamp		2					
55	407481001	Carriage lock		1					
56	407482002	1/1 Needle pusher		1					
57	402575003	1×3 Transfer tool		1					
58	402631003	2×3 Transfer tool		1					
59	402576003	1×2 Transfer tool		1					
60	407458002	Latch tool		1					
61	402577001	Crochet		1					
62	407113001	Plain needle		3					
63	407483000	Spare needle case		1					
64	402389001	Cast-on thread		1					
65	404787005	Cast-on comb, long		1					
66	404884005	Cast-on comb, short		1					
67	407518001	Card holder pin		1					
68-69	487221001	Yarn wax with case		1					
70	402714001	Tapestry needle		1					
○ 71	410985001	Single motif cam		1					
○ 72	410975001	Motif knitting cam R		1					
○ 73	410976001	Motif knitting cam center		2					
○ 74	410977001	Motif knitting cam L		1					
○ 75	410978001	L-Point cam for 4 needles		6					
○ 76	410979001	L-Point cam for 8 needles		6					
○ 77	410971001	Plating yarn feeder assembly		1					
78	405134006	Row counter		1					



PARTS FOR L-CARRIAGE	Fig : F
----------------------	---------

PARTS FOR L-CARRIAGE

Ref. No.	Parts No.	Description	Revised	Q'ty	Ref. No.	Parts No.	Description	Revised	Q'ty
○ F- 1-63	411097001	L carriage assembly KH-860		1	F-59	060660403	+ - Screw 3.18×4		2
○ 1	410563001	L carriage plate		1	60	409748001	L carriage handle		1
○ 2	410954002	Release button plate assembly		1	61	409751001	Screw		2
○ 3	410565001	Release button plate spring		1	○ 62	410966001	R end needle selection change spring		1
○ 4	408166001	Stud for release button plate		2	○ 63	410967001	L end needle selection change spring		1
○ 5	410566000	Rear foot for L		1	○ 64	410594001	Extension rail		2
6	060660703	+ - Screw 3.18×7		10					
○ 7	410957001	R end needle selection cam for L		1					
○ 8	410958001	R end needle selection plate for L		1					
○ 9	410959001	R end needle selection change cam for L		1					
○ 10	410960001	L end needle selection cam for L		1					
○ 11	410961001	L end needle selection plate for L		1					
○ 12	410962001	L end needle selection change cam for L		1					
○ 13	410963001	End needle selection cam spring for L		2					
○ 14	410573001	Main cam		1					
○ 15	410578001	Separation cam R for L carriage		1					
16	408132001	Raising cam right for L carriage		1					
○ 17	410579001	Shaft for separation cam		1					
18	408134001	Raising cam spring		1					
○ 19	410580001	Reinforcing plate BR for main cam		1					
○ 20	410581001	Separation cam L for L carriage		1					
21	408137001	Raising cam left for L carriage		1					
○ 22	410579001	Shaft for separation cam		1					
23	408134001	Raising cam spring		1					
○ 24	410582001	Reinforcing plate BL for main cam		1					
25	406397001	Screw with washer 3.18×5		2					
26	408582001	Lace selection cam		1					
27	408583001	Change lever spring		1					
○ 28	410583001	Right end needle separation cam for L		1					
○ 29	410584001	Left end needle separation cam for L		1					
○ 30	410592001	+ - Screw 3.18×12		2					
○ 31	410494001	Needle transfer plate R		1					
○ 32	410495001	Needle transfer plate L		1					
33	060660504	+ - Screw 3.18×5		4					
34	403069001	Washer		4					
35	028030243	Spring washer		6					
36	408573001	Cam plate		1					
37	060660403	+ - Screw 3.18×4		8					
○ 38	411003001	Rubber wheel for L		2					
40	405029001	Stud screw		2					
41	407490000	Front foot		1					
42	408579001	Front foot holder		1					
43	408580002	Small brush, right		1					
44	408581002	Small brush, left		1					
45	408561001	Spring plate, right		1					
46	408562001	Spring plate, left		1					
47	409740001	Handle setting base, right		1					
48	409739001	Handle setting base, left		1					
49	060670503	+ - Screw 3.57×5		2					
50	407522001	Handle lock spring		2					
51	407454000	Magnet, right		1					
52	407578000	Magnet, left		1					
53	004661003	Screw		2					
54	410986001	Right arresting plate for impact		1					
55	410987001	Left arresting plate for impact		1					
56	409744001	Lace selecting knob		1					
○ 57-58	411098001	L carriage cover assembly KH-860		1					